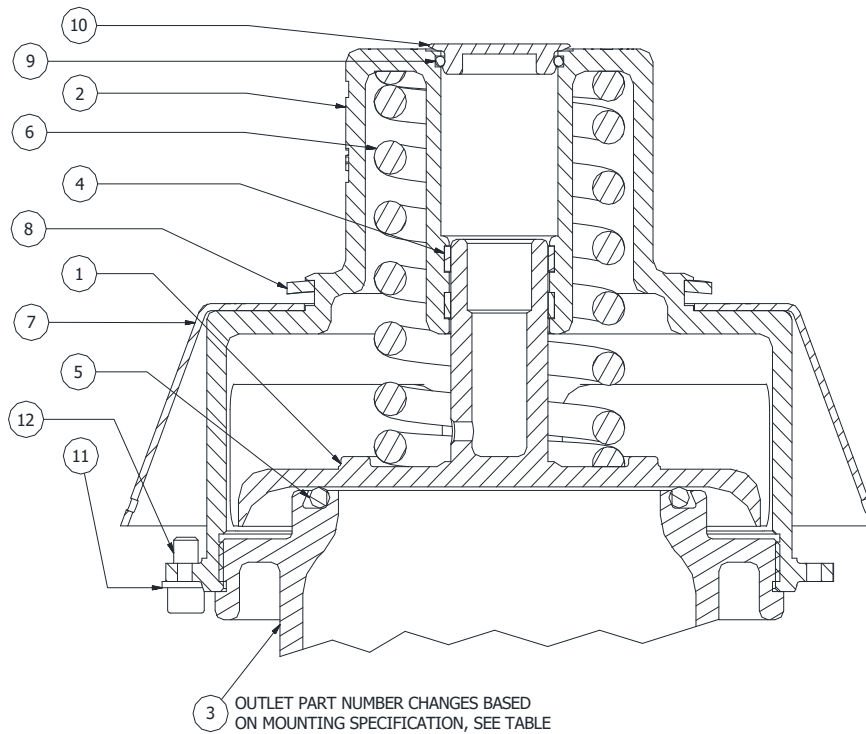


# GUARDIAN™ RVP 407/412 PRESSURE VENT

## PARTS LIST all RVPT Pressure Relief only Vents



No.	Req'd	Description	Material	Part Number
1	1	Disc	316SS	28797SS
2	1	Body	316SS	28795SS
3	1	Outlet	316SS	*Varies*
4	2	Bearing Ring	Graphite/PTFE	75639TR3.15
5	1	O-Ring	Tef-sil	75553TS
6	1	Spring	PTFE/SS	75809SSTF-**
7	1	Shroud	316SS	28832SS
8	1	Wave Ring	Stainless	9Q5059
9	1	O-Ring	FKM GFLTs	3357VF
10	1	Cylinder Cap	316SS	75818SS
11	1	Lock Washer	Stainless	9Q5844
12	1	Cap Screw	Stainless	9Q5993

Assembly Number	Outlet Style	Outlet Part Number
RVP3N*-**	3" NPS	28793SS
RVP3A*-**	3" ANSI FLG	28877SS
RVP3S*-**	3" NPS SWIVEL	28887SS
RVP3W*-**	3" WELD STUB	28872SS
RVP4N*-**	4" NPS	28791SS
RVP4A*-**	4" ANSI FLG	28868SS
RVP4S*-**	4" NPS SWIVEL	28888SS
RVP4F*-**	4" TTMA FLG	28874SS
RVP4W*-**	4" WELD STUB	28870SS

### Parts Included in SK-RVPT Seal Kit

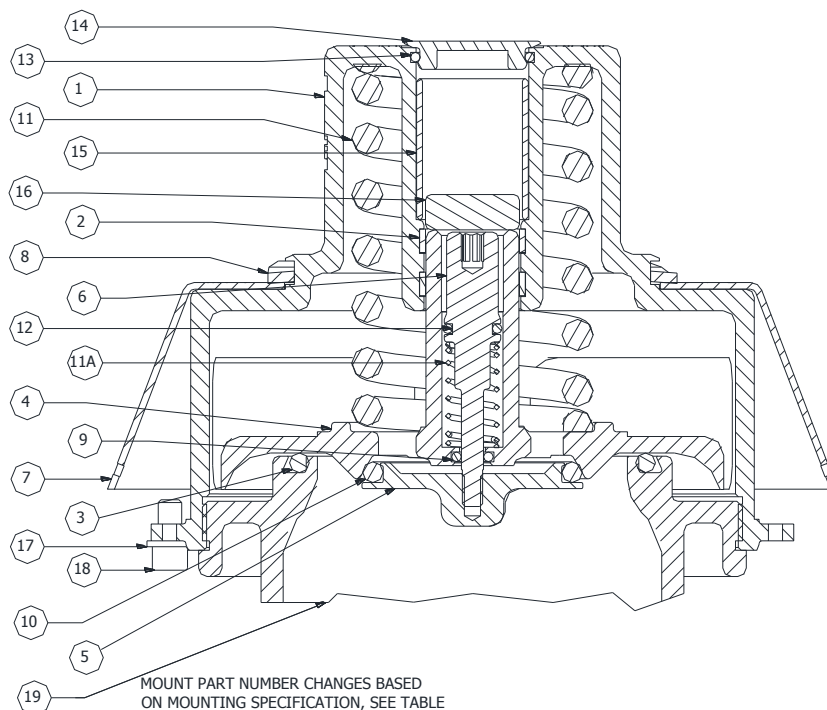
- \*' Standard material shown, can change with different seal material versions.
- \*\*' Suffix indicates extension for correct spring corresponding to valve's indicated MAWP rating.

Assembly Number	Outlet Gasket
RVP3N*-**	75800TF-3
RVP3S*-**	75800TF-3
RVP4N*-**	75800TF-4
RVP4S*-**	75800TF-4
RVP4F*-**	RGA401TD



# GUARDIAN™ RVC 407/412 COMBINATION VENT

## PARTS LIST RVCT Pressure/Vacuum Vent



No.	Req'd	Description	Material	Part Number
1	1	Body	316SS	28795SS
2	2	Wear Ring	Grap/PTFE	75639TR3.15
3	1	Seat O-Ring	Tef-sil	75553TS
4	1	Disc	316SS	28831SS
5	1	O-Ring Holder	316SS	28799SS
6	1	Vacuum Stem	PTFE/SS	75823SS
7	1	Shroud	316SS	28832SS
8	1	Wave Ring	Stainless	9Q5059
9	1	O-Ring	PTFE	19505TF
10	1	Seat O-Ring	Tef/sil	75811TS
11	1	Spring	PTFE/SS	75809SSTF-**
11a	1	Spring	316SS	75810SS
12	1	O-Ring	PTFE	18141TF
13	1	O-Ring	FKM GFLTs	3357VF
14	1	Cap	316SS	75818SS
15	1	Mag. Sleeve	Fiberglass	75824FG
16	1	Magnet	Coat. REM	9Z6209
17	1	Lock Washer	Stainless	9Q5844
18	1	Cap Screw	Stainless	9Q5993
19	1	Mount	316SS	*Varies*
20	1	Vac. Spring	PTFE/SS	75810SS

Assembly Number	Mount Style	Mount Part Number
RVC3N*-**	3" NPS	28793SS
RVC3A*-**	3" ANSI FLG	28877SS
RVC3S*-**	3" NPS SWIVEL	28887SS
RVC3W*-**	3" WELD STUB	28872SS
RVC4N*-**	4" NPS	28791SS
RVC4A*-**	4" ANSI FLG	28868SS
RVC4S*-**	4" NPS SWIVEL	28888SS
RVC4F*-**	4" TTMA FLG	28874SS
RVC4W*-**	4" WELD STUB	28870SS

Assembly Number	Mount Gasket
RVC3N*-**	75800TF-3
RVC3S*-**	75800TF-3
RVC4N*-**	75800TF-4
RVC4S*-**	75800TF-4
RVC4F*-**	RGA401TD

\*' Suffix indicates designated seal material extension.

\*\*' Suffix indicates extension for correct spring corresponding to valve's indicated MAWP rating.

### Parts Included in SK-RVCT Seal Kit

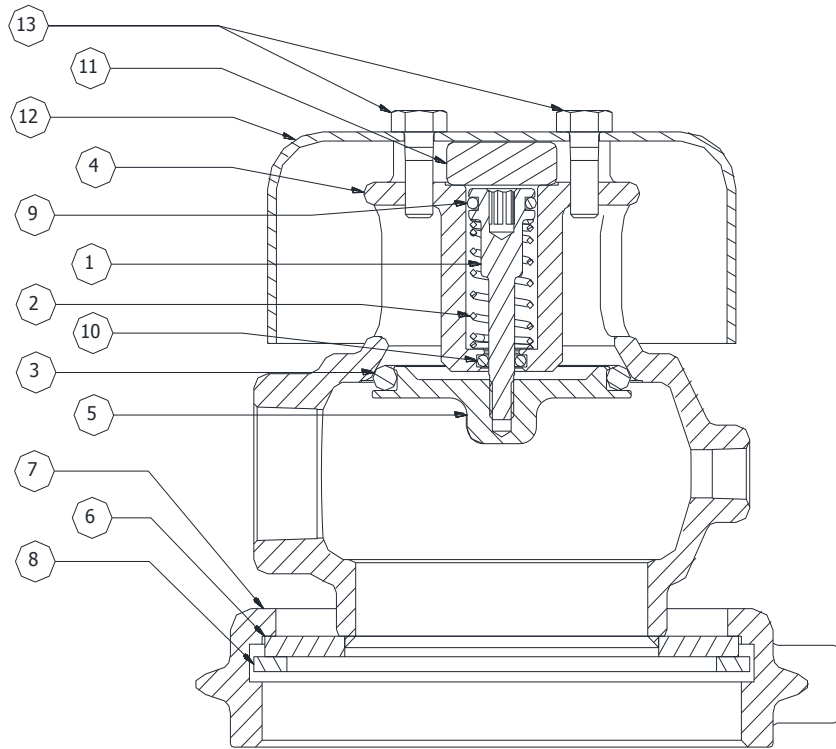


Designed, engineered and manufactured in the USA.



## GUARDIAN™ 407/412 VACUUM VENT


### PARTS LIST RVVT 3" and 4" Vacuum Breaker w/Swivel Nut

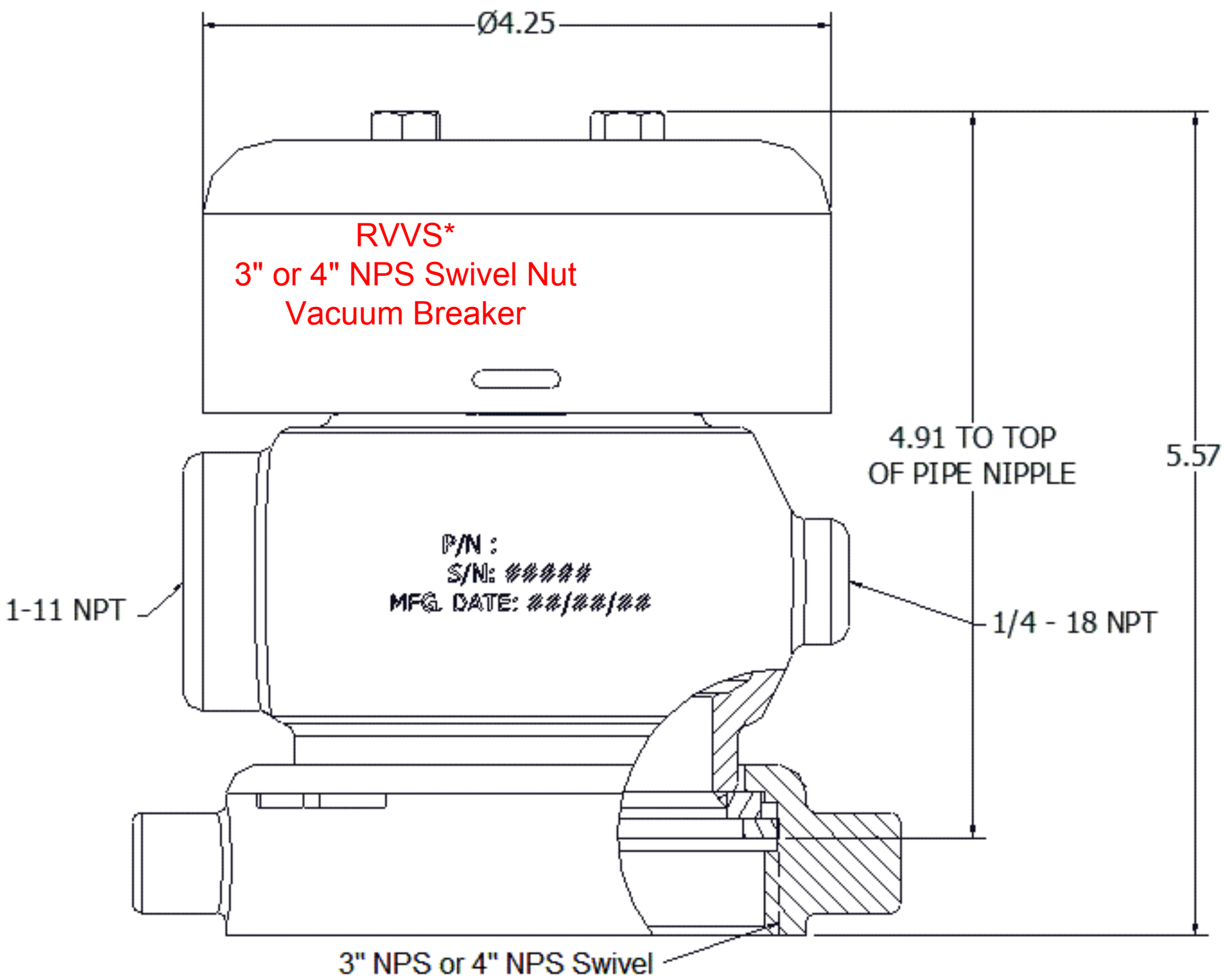


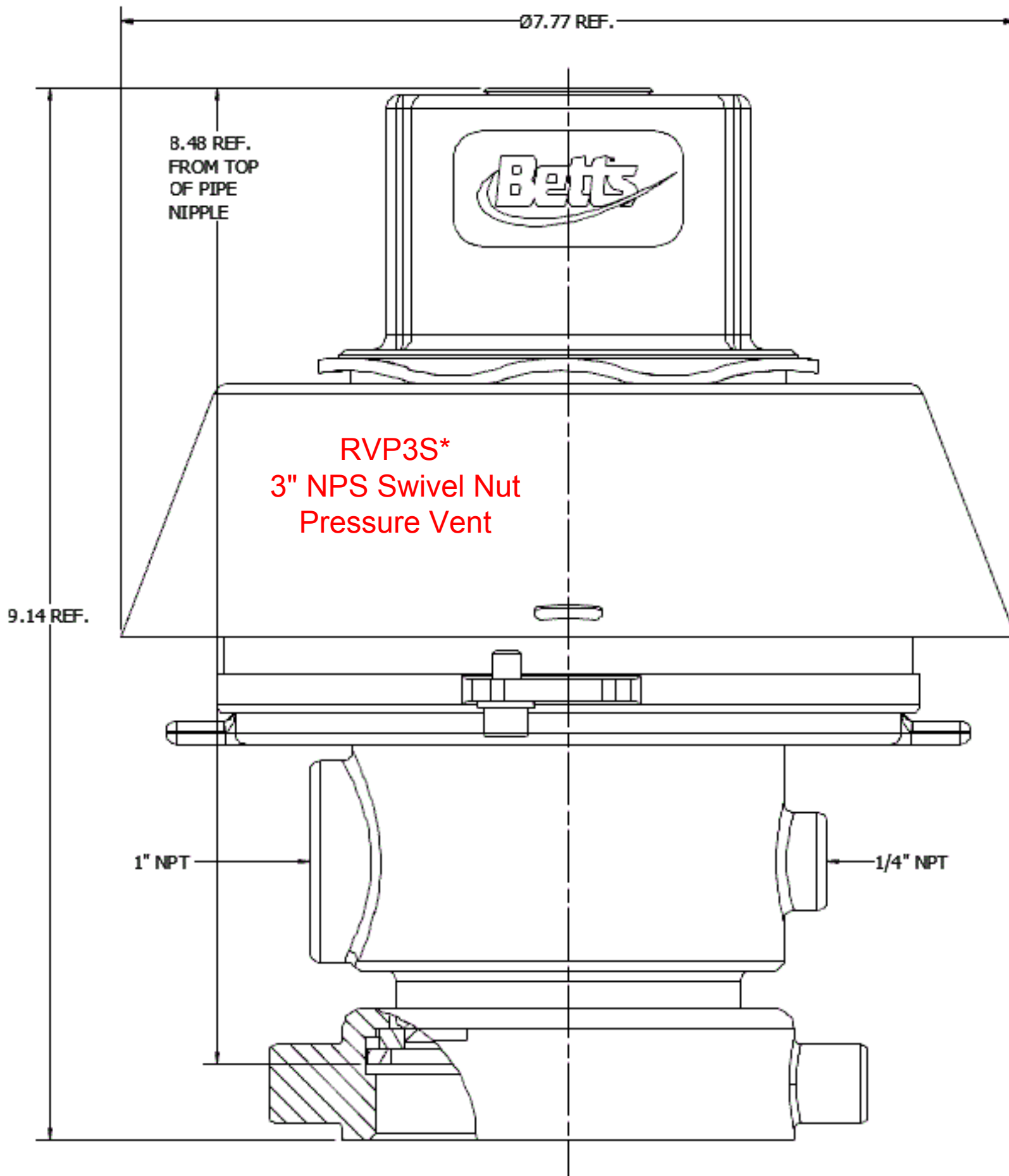
No.	Req'd	Description	Material	Part Numbers (3")	Part Numbers (4")
1	1	Stem	PTFE/SS	75807SS	75807SS
2	1	Spring	316 SS	75810SS	75810SS
3	1	O-Ring	Tef/Sil	75811TS	75811TS
4	1	Body	316 SS	28801SS	28801SS
5	1	O-Ring Holder	316 SS	28799SS	28799SS
6	1	Disc	316 SS	75812SS-3	75812SS-4
7	1	Swivel Nut	316 SS	28099SS	28803SS
8	1	Gasket	PTFE	75800TF-3	75800TF-4
9	1	Piston Guide Ring	PTFE	18141TF	18141TF
10	1	Stem Guide Ring	PTFE	19505TF	19505TF
11	1	Magnet	Coated REM	9Z6209	9Z6209
12	1	Shroud	316 SS	28833SS	28833SS
13	2	¼-20 Cap Screw	Stainless	9Q5822A	9Q5822A

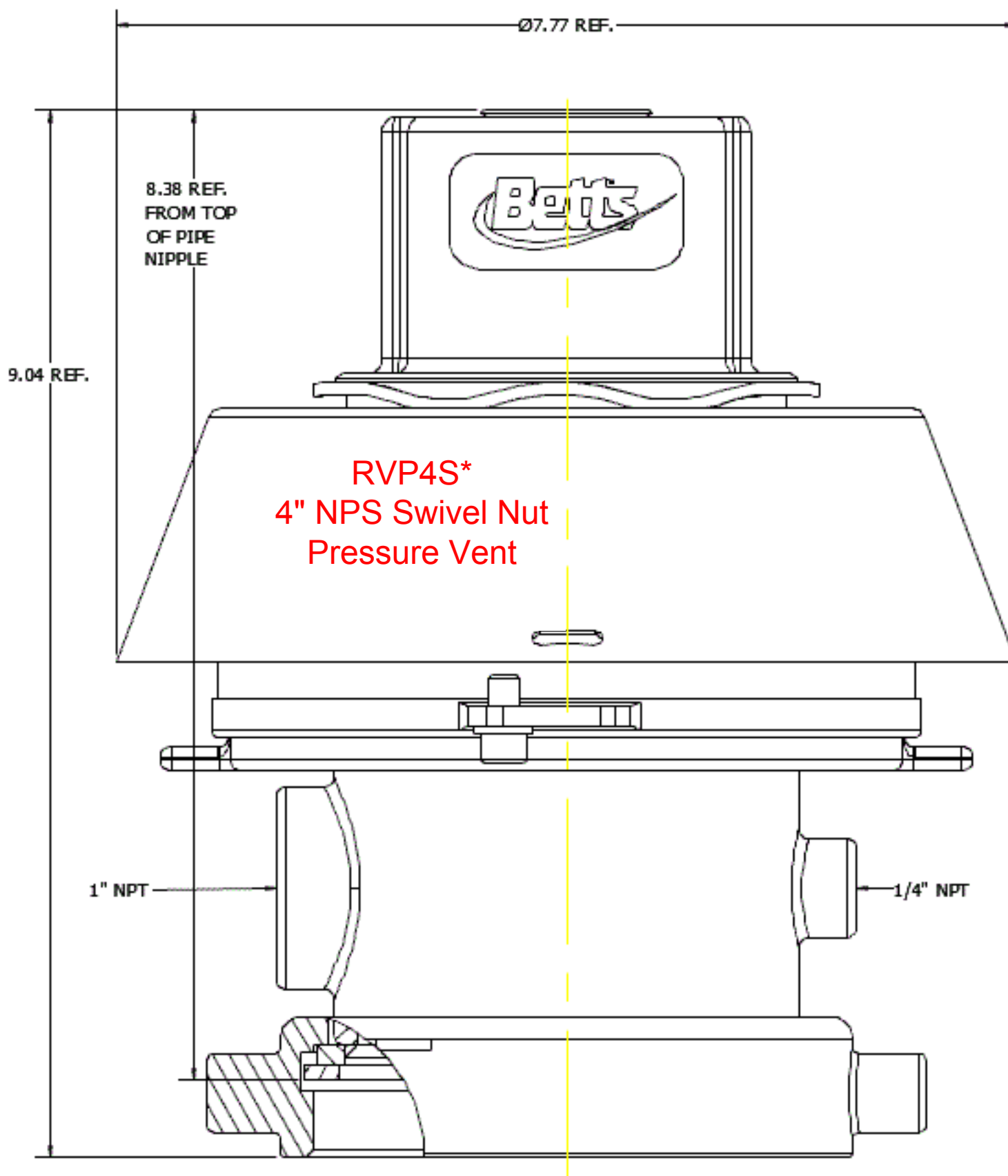
Parts Included in SK-RVVT Seal Kit

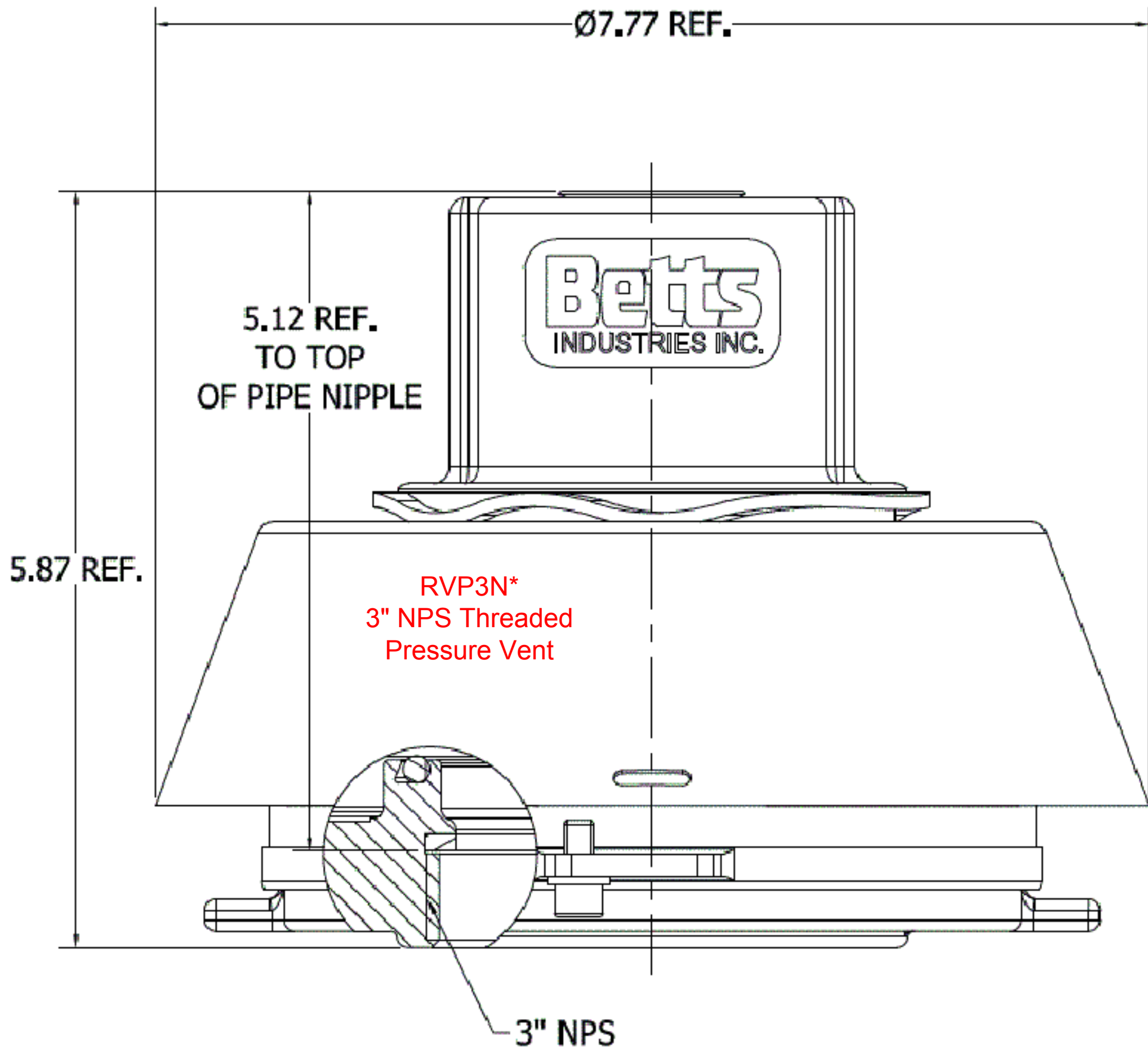


Designed, engineered and manufactured in the USA. 









Ø7.77 REF.

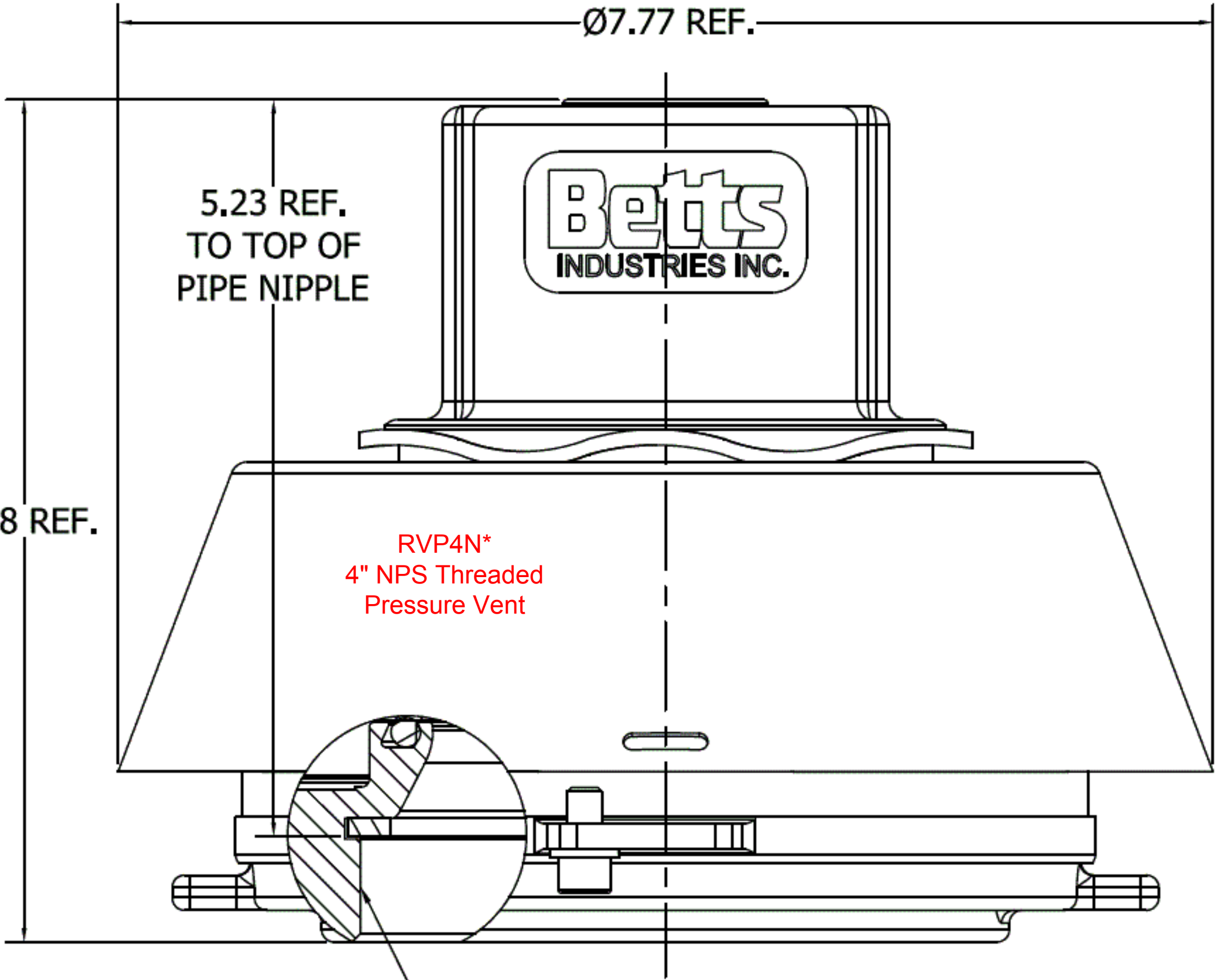
5.23 REF.  
TO TOP OF  
PIPE NIPPLE

**Beatts**  
INDUSTRIES INC.

5.98 REF.

RVP4N\*  
4" NPS Threaded  
Pressure Vent

4" NPS



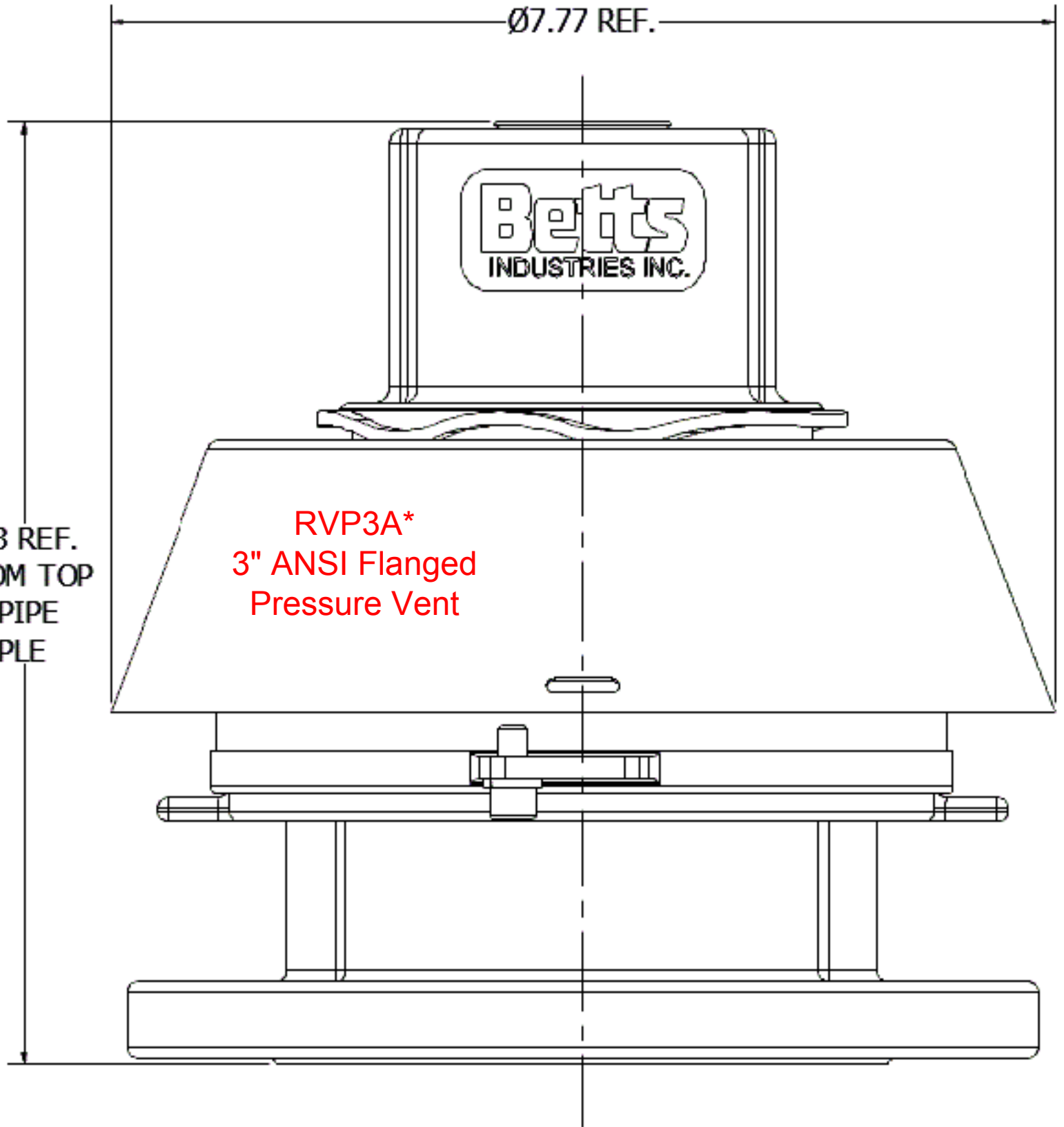


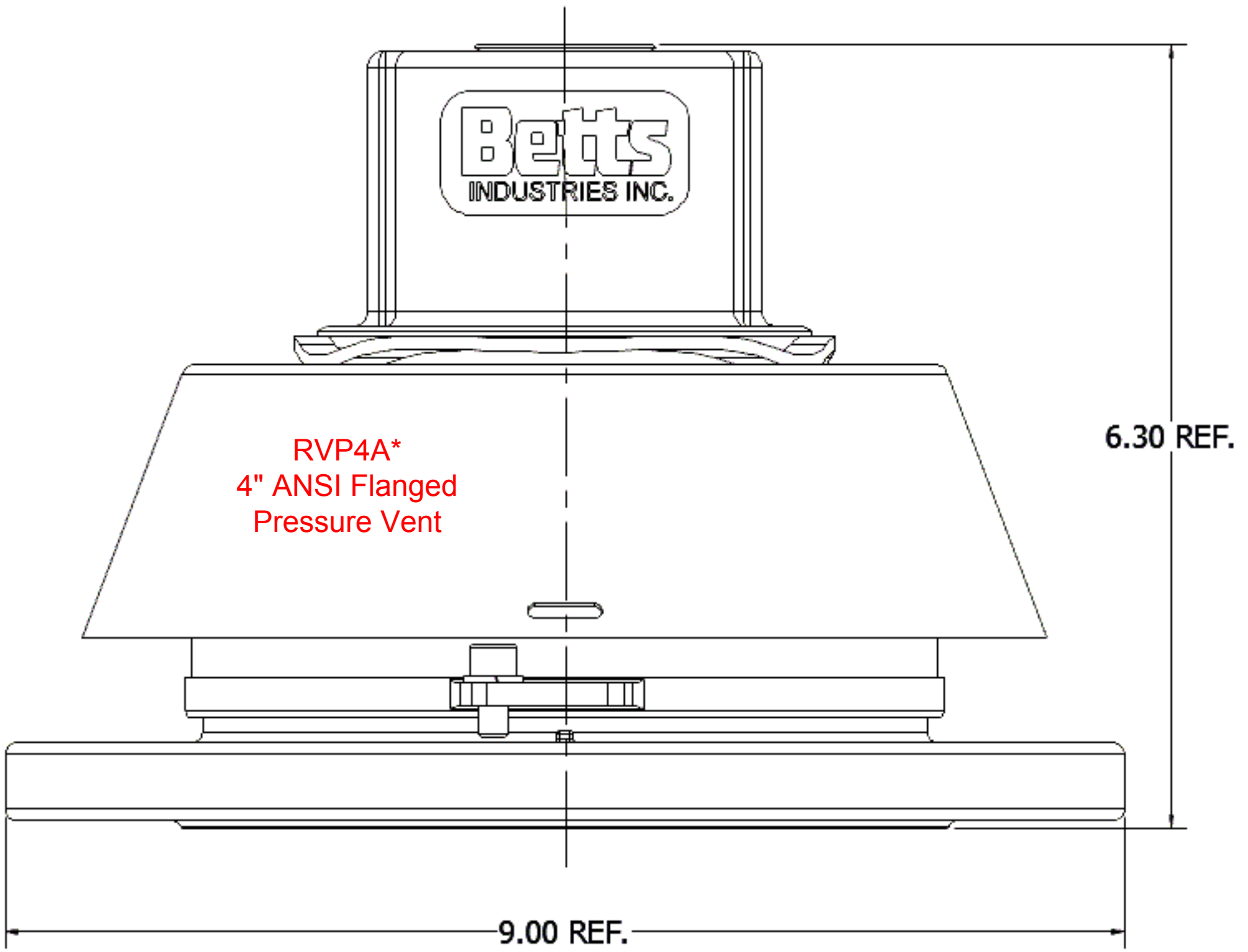
Ø7.77 REF.

**Beit's**  
INDUSTRIES INC.

RVP3A\*  
3" ANSI Flanged  
Pressure Vent

7.63 REF.  
FROM TOP  
OF PIPE  
NIPPLE





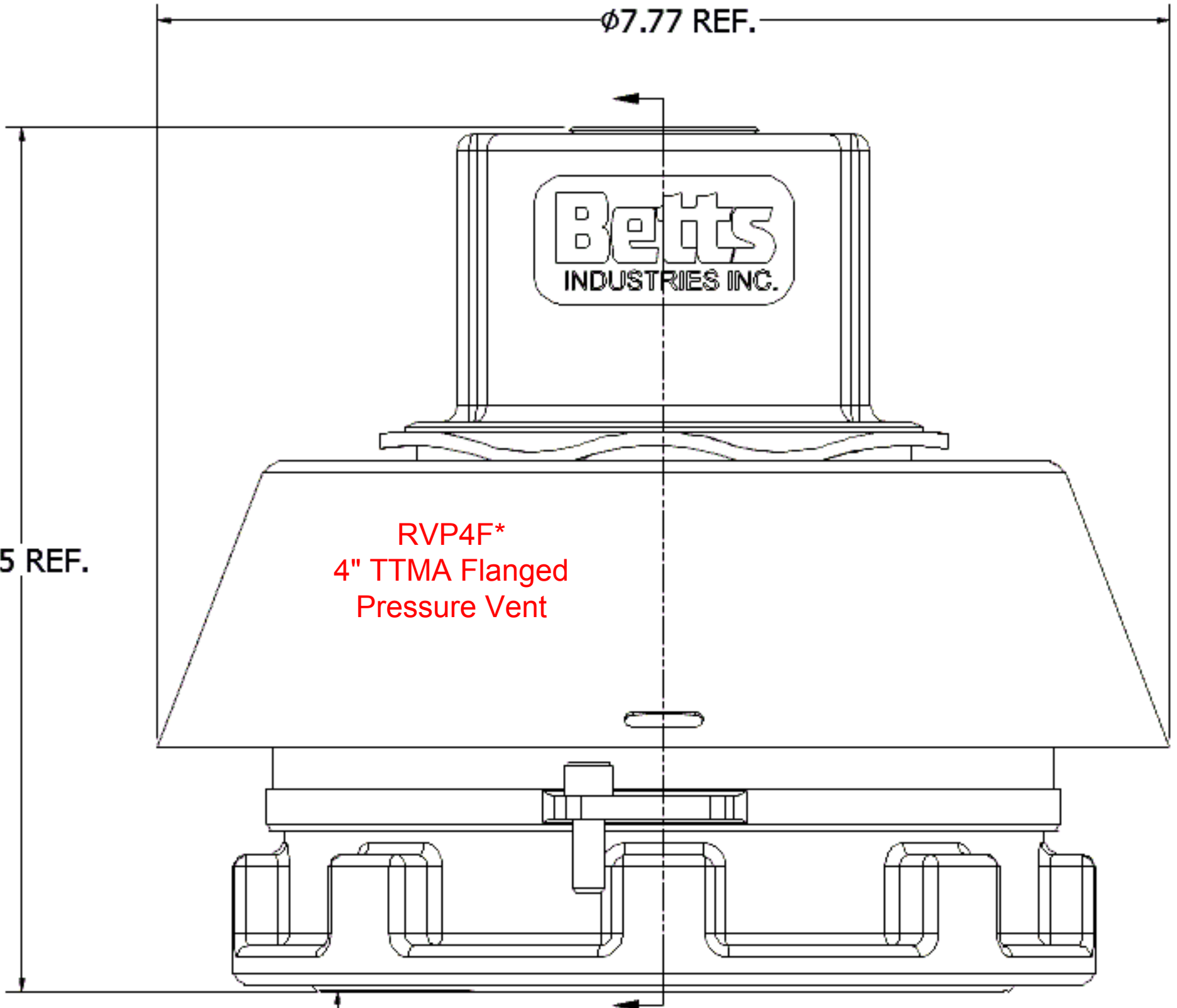
Ø7.77 REF.

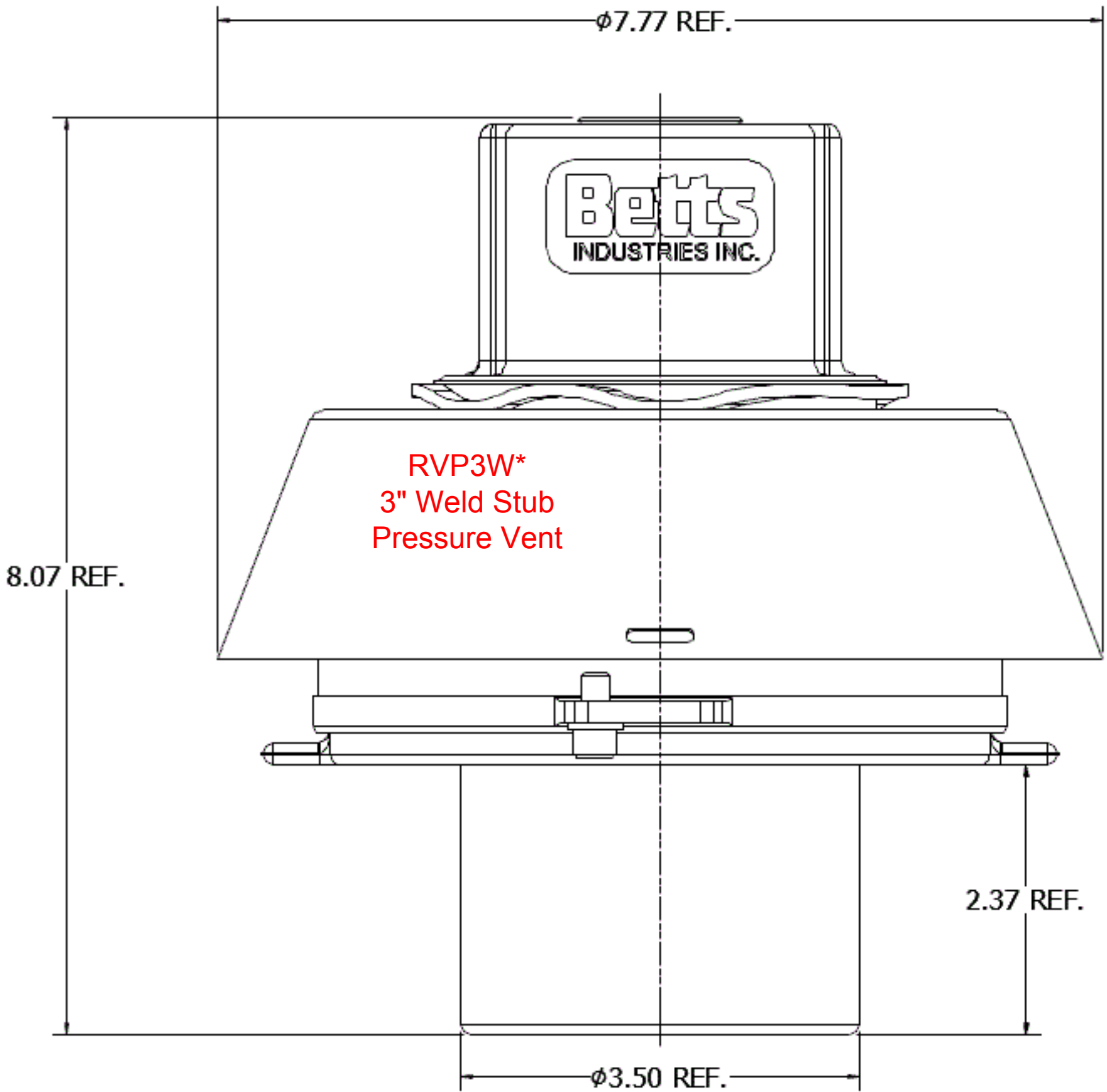
**Betts**  
INDUSTRIES INC.

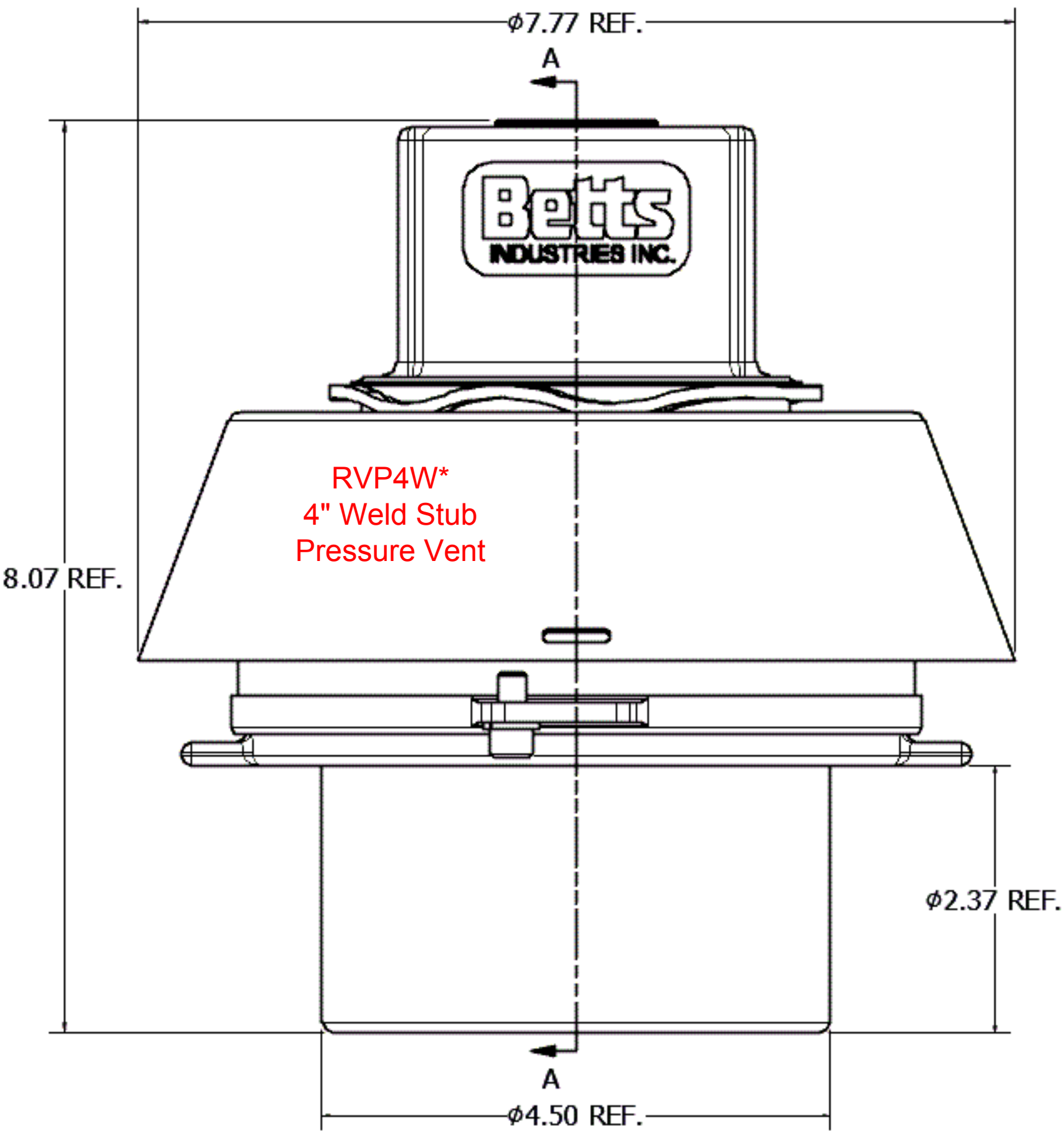
RVP4F\*  
4" TTMA Flanged  
Pressure Vent

6.65 REF.

4" TTMA







$\phi 7.77$  REF.

A

**Betts**  
INDUSTRIES INC.

RVP4W\*  
4" Weld Stub  
Pressure Vent

8.07 REF.

$\phi 2.37$  REF.

A

$\phi 4.50$  REF.